

NOTE:

1. MATERIAL:
HOUSING: HIGH TEMPERATURE THERMOPLASTIC(UL94V-0), COLOR: NATURAL.
CONTACTS: COPPER ALLOY.
PEG: COPPER ALLOY.
ACTUATOR: HIGH TEMPERATURE THERMOPLASTIC(UL94-V0).
2. RATING:
OPERATING VOLTAGE: 50Vrms AC.
CURRENT RATING: 0.5A.
OPERATING TEMPERATURE: $-55^{\circ}\text{C} \sim +85^{\circ}\text{C}$.
OPERATING HUMIDITY RANGE: RELATIVE HUMIDITY 90% MAX.(NO CONDENSATION)
STORAGE TEMPERATURE RANGE: $-10^{\circ}\text{C} \sim +50^{\circ}\text{C}$.
STORAGE HUMIDITY RANGE: RELATIVE HUMIDITY 90% MAX.(NO CONDENSATION)
3. PART No: FP243A-0XX X 1 X M

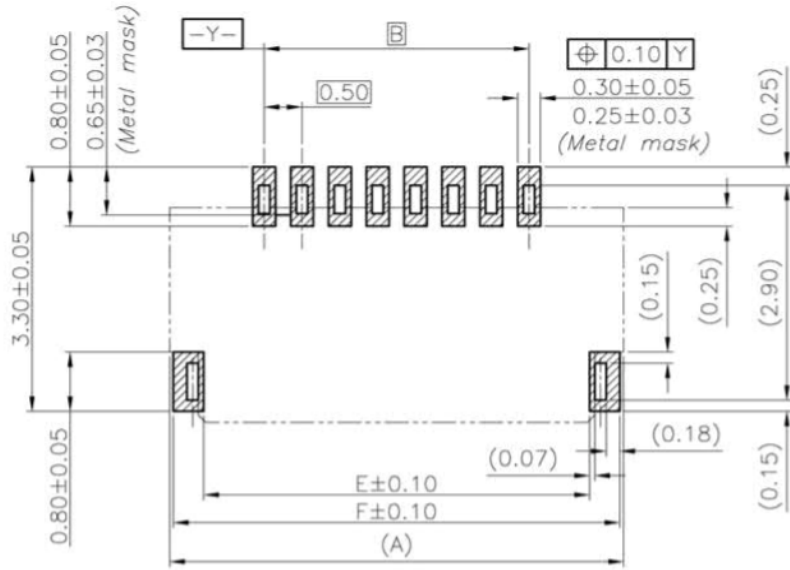
PIN NO. "A" WITHOUT LOGO
"O" WITH LOGO
CONTACTS PLATING:
G: Au 1~3u"
T: Au 3u"
A: Au 5u"
1: Au 10u"
3: Au 30u"
(For more than or equal to 08 pins)

深圳市金航标电子有限公司 WWW.BDS666.COM

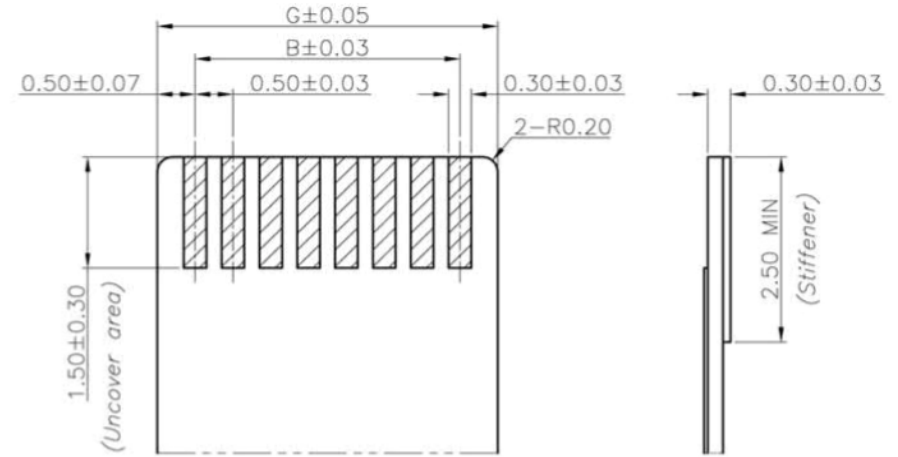
KH-0.5-H3.25-6PIN 0755-83044319

DRWN:	PART NO.:	FP243A-0XXX1XM			
CHKD:	TITLE:	0.5P 1.0H FPC (BACK-FLIP)-CUST			
APPD:	DRAWING NO.:				
SHEET: 1/2	UNIT mm	SCALE 10:1	SIZE A4	REV A0	

DIM	TOL	DEC	TOL
X.	$\pm--$	X.*	$\pm 2^*$
X.X	± 0.20	X.X*	$\pm--$
X.XX	± 0.15	X.XX*	$\pm--$
X.XXX	$\pm--$	X.XXX*	$\pm--$



Recommended PCB mounting pattern and metal mask dimensions
 Recommended metal mask thickness: $t=0.1$



Recommended FPC/FFC Dimensions

50	27.00	24.50	25.57	26.39	26.10	26.90	25.50
45	24.50	22.00	23.07	23.89	23.60	24.40	23.00
40	22.00	19.50	20.57	21.39	21.10	21.90	20.50
34	19.00	16.50	17.57	18.39	18.10	18.90	17.50
32	18.00	15.50	16.57	17.39	17.10	17.90	16.50
30	17.00	14.50	15.57	16.39	16.10	16.90	15.50
26	15.00	12.50	13.57	14.39	14.10	14.90	13.50
24	14.00	11.50	12.57	13.39	13.10	13.90	12.50
23	13.50	11.00	12.07	12.89	12.60	13.40	12.00
22	13.00	10.50	11.57	12.39	12.10	12.90	11.50
20	12.00	9.50	10.57	11.39	11.10	11.90	10.50
16	10.00	7.50	8.57	9.39	9.10	9.90	8.50
14	9.00	6.50	7.57	8.39	8.10	8.90	7.50
12	8.00	5.50	6.57	7.39	7.10	7.90	6.50
11	7.50	5.00	6.07	6.89	6.60	7.40	6.00
10	7.00	4.50	5.57	6.39	6.10	6.90	5.50
8	6.00	3.50	4.57	5.39	5.10	5.90	4.50
7	5.50	3.00	4.07	4.89	4.60	5.40	4.00
6	5.00	2.50	3.57	4.39	4.10	4.90	3.50
4	4.00	1.50	2.57	3.39	3.10	3.90	2.50
Number of Contacts	DIM A	DIM B	DIM C	DIM D	DIM E	DIM F	DIM G

DIM	TOL	DEC	TOL
X.	±--	X.*	±2'
X.X	±0.20	X.X*	±--
X.XX	±0.15	X.XX*	±--
X.XXX	±--	X.XXX*	±--

深圳市金航标电子有限公司		WWW. BDS666. COM			
KH-0.5-H3.25-6PIN		0755-83044319			
DRWN:		PART NO.: FP243A-0XXX1XM			
CHKD:		TITLE: 0.5P 1.0H FPC (BACK-FLIP)-CUST			
APPD:		DRAWING NO.:			
SHEET: 2/2				UNIT: mm	SCALE: 10:1
		SIZE: A4	REV: A0		