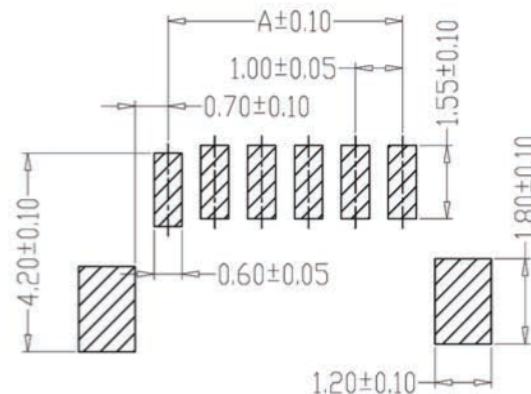
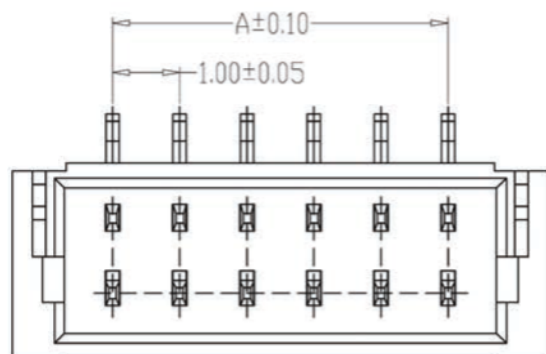


型号: KH-A1001LF- (02-20) A

SPECIFICATIONS

- 1、Current Rating: 1A AC, DC
- 2、Voltage Rating: 50V AC, DC
- 3、Temperatuer Range: -25°C~+85°C
- 4、Contact Resistance: 20mΩ Max
- 5、Insulation Resistance: 100MΩ Min
- 6、Withstanding Voltang: 500V AC/minute
- 7、Material: Wafer Nylon 6T, UL94V-0
PIN Phosphoric bronze Tin-plated
Solder tad Phosphoric bronze Tin-plated



PCB LAYOUT

编 号	尺寸 (mm)		
	A	B	C
A1001LF-02A	1.00	4.00	3.20
A1001LF-03A	2.00	5.00	4.20
A1001LF-04A	3.00	6.00	5.20
A1001LF-05A	4.00	7.00	6.20
A1001LF-06A	5.00	8.00	7.20
A1001LF-07A	6.00	9.00	8.20
A1001LF-08A	7.00	10.00	9.20
A1001LF-09A	8.00	11.00	10.20
A1001LF-10A	9.00	12.00	11.20
A1001LF-11A	10.00	13.00	12.20
A1001LF-12A	11.00	14.00	13.20
A1001LF-20A	19.00	22.00	21.20

制图 DRAWN	变更内容 DESCRIPTION	日期 DATE	GENE RL TOLERANCE		制图 Mapping	料号 PART NO.	版本 REV.
			X.±0.25	.X'±2'	贺骏驹 2013.07.01		A
			.X±0.20	.X'±1'	审核 赖积任 2013.07.03	品名 1.0立贴 客户料号 WA FER SMT TYPE	页次 SHEET 1/1
			.XX±0.15	.XX'±0.5'	核准 张松强 2013.07.05	CUTM. NO.	
			.XXX±0.10	.XXX'±0.5'	单位 Units	深圳市金航标电子有限公司	WWW. BDS666. COM
					MM 比例 SCALE 1:1	KH-A1001LF-03A	0755-83044319