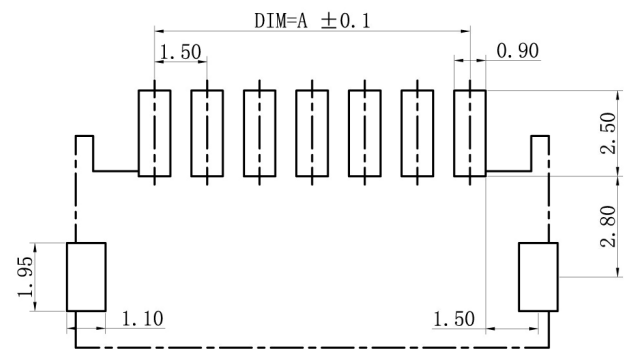
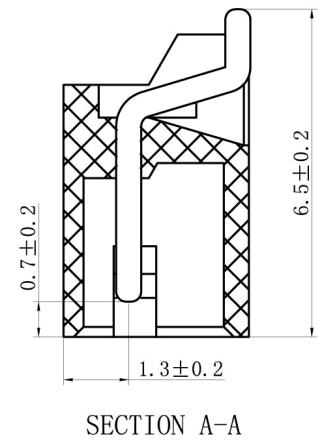
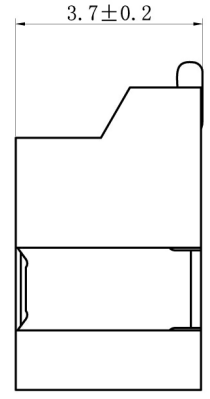
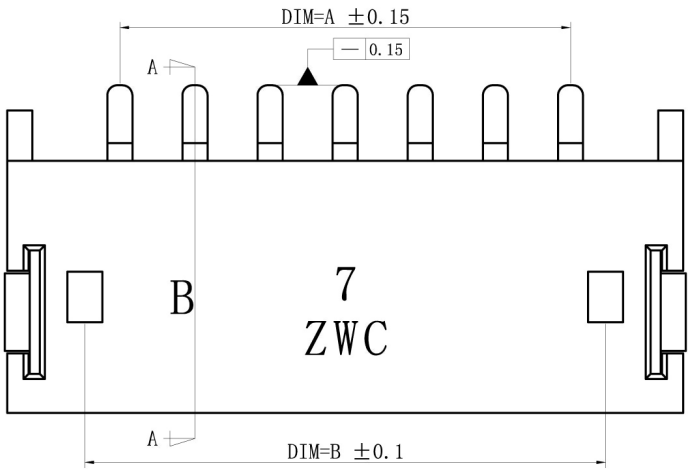


主要技术特性:
 间距: 1.5 mm
 温度范围: -25~+85°C
 额定电压: 50 V AC, DC
 额定电流: 0.5 A AC, DC
 接触电阻: 0.04 Ω
 绝缘电阻: 800 MΩ
 耐压: 200 V AC/minute

材料:
 壳体: PA9T UL94V-0 本色
 接触针: 黄铜(镀锡)
 焊片: 磷青铜(镀锡)



NO. of Contacts (n)	Dimensions		
	A	B	C
2	1.5	2.9	6.1
3	3.0	4.4	7.6
4	4.5	5.9	9.1
5	6.0	7.4	10.6
6	7.5	8.9	12.1
7	9.0	10.4	13.6
8	10.5	11.9	15.1
9	12.0	13.4	16.6
10	13.5	14.9	18.1
11	15.0	16.4	19.6
12	16.5	17.9	21.1
13	18.0	19.4	22.6
14	19.5	20.9	24.1
15	21.0	22.4	25.6
16	22.5	23.9	27.1
17	24.0	25.4	28.6
18	25.5	26.9	30.1
19	27.0	28.4	31.6
20	28.5	29.9	33.1

SER	AREA	REVISIONS	CHK	DATE

UNLESS OTHERWISE SPECIFIED
 TOLERANCES ARE
 X. ±0.2
 X.X ±0.1
 X.XX ±0.05
 ANG.
 X ±0.5
 X.X ±0.1

深圳市金航标电子有限公司		WWW.BDS666.COM	
KH-ZH1.5WF-03A		0755-83044319	
CHECKED	DATE	APPROVED	DATE
DRAWN 周建锋	DATE 2007/12/05	DRAWING NO 1.5TA-7P	
UNIT MM	SCALE 5:1	SIZE A4	REV A