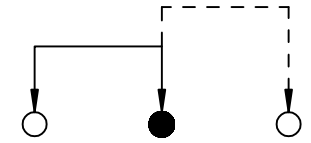
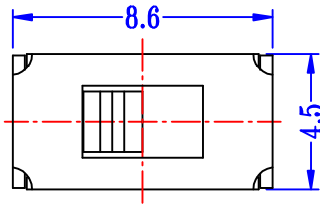
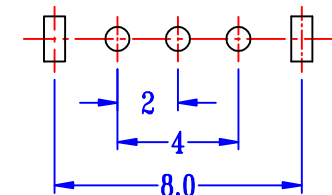
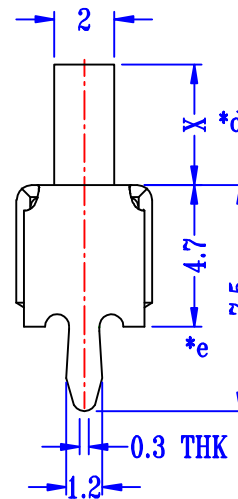
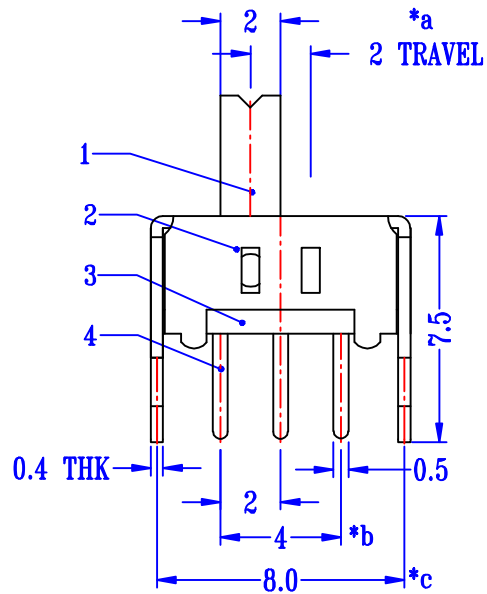


CAD FILE:

Kinghelm®



SCHEMATIC (NON-SHORTING)



**P.C.B LAYOUT
BOTTOM VIEW**

注：“*”表示关键尺寸(5个)

NO.	PARTS	MATERIALS	Q'TY	FINISH	TOLERANCE UNLESS SPECIFIED					
8										
7										
6	SPRING PLATE	SUS	1	NATURAL	WITHIN 1.5mm : ±0.1mm	A	2012-09-11	初版		李燕
5	CONTACT CLIP	PBS STRIP	1	Ag PLATED	OVER 1.5mm : ±0.2mm	ISSUE	DATE	DESCRIPTIONS OF REVISION		APPD.
4	TERMINAL	BRASS STRIP	3	Ag PLATED	TITLE : VERTICAL SLIDE SWITCH		UNIT : mm	DRWG NO.: SS12D07		
3	BASE	PHENOLIC RESIN	1	NATURAL	MODEL: SS12D07		SCALE: 4:1	DWN.	吴小庆	2014-11-28
2	FRAME	STEEL STRIP	1	Ni PLATED	深圳市金航标电子有限公司		www.kinghelm.com.cn	CHK'D	李燕	2014-11-28
1	KNOB	POM	1	BLACK	KH-SS12D07-VG2H		0755-28190160	APPD.	李燕	2014-11-28