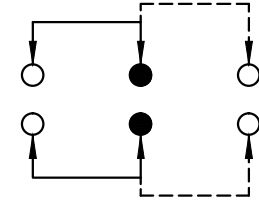
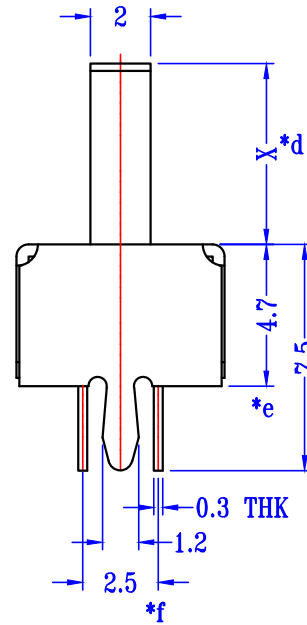
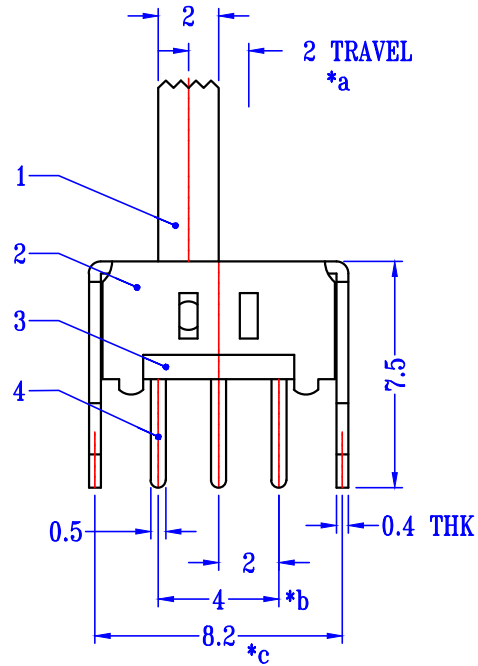
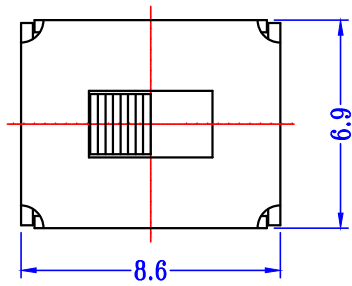


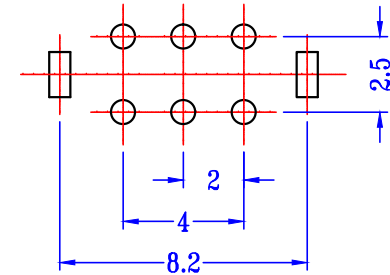


CAD FILE:

Kinghelm®



SCHEMATIC (NON-SHORTING)



P.C.B LAYOUT  
BOTTOM VIEW

注：“\*”表示关键尺寸(6个).

NO.	PARTS	MATERIALS	Q'TY	FINISH	TOLERANCE UNLESS SPECIFIED					
8										
7										
6	SPRING PLATE	PBS STRIP	1	NATURAL	WITHIN 1.5mm : ±0.1mm	A	2019-8-13	初版	李燕	
5	CONTACT CLIP	PBS STRIP	2	Ag PLATED	OVER 1.5mm : ±0.2mm	ISSUE	DATE	DESCRIPTIONS OF REVISION	APPD.	
4	TERMINAL	BRASS STRIP	6	Ag PLATED	TITLE : VERTICAL SLIDE SWITCH		UNIT : mm	DRWG NO.: SS22D07		
3	BASE	PHENOLIC RESIN	1	NATURAL	MODEL: SS22D07 弹片		SCALE: 4:1	DWN.	张俊明	2019-8-13
2	FRAME	STEEL STRIP	1	Ni PLATED	深圳市金航标电子有限公司		www.kinghelm.com.cn	CHK'D	黄小效	2019-8-13
1	KNOB	POM	1	BLACK	KH-SS22D07-VG4H		0755-28190160	APPD.	李燕	2019-8-13