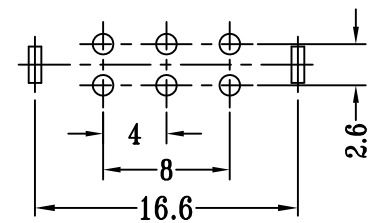
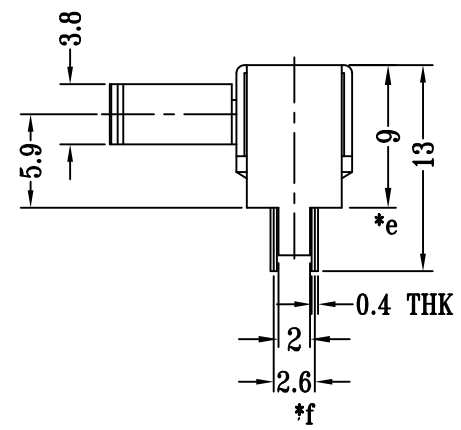
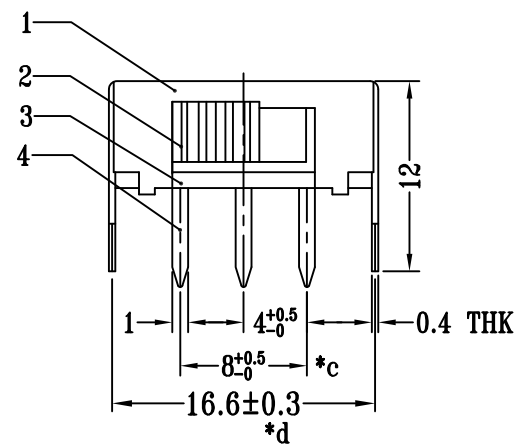


SCHEMATIC (NON-SHORTING)



P.C.B LAYOUT
BOTTOM VIEW

注：“*”表示关键尺寸（6个）

8					TOLERANCE				
7					UNLESS SPECIFIED				
6	SPRING	STEEL WIRE	2	NATURAL	WITHIN 1.5mm : ±0.1mm	A	2019-8-21	初版	
5	CONTACT	BRASS STRIP	2	Ag PLATED	OVER 1.5mm : ±0.2mm	ISSUE	DATE	DESCRIPTIONS OF REVISION	
4	TERMINAL	BRASS STRIP	6	Ag PLATED	TITLE : VERTICAL SLIDE SWITCH		UNIT : mm	DRWG NO.:	
3	BASE	PHENOLIC RESIN	1	NATURAL	MODEL: SK22F02		SCALE: 2:1	DWN.	2019-8-21
2	KNOB	POM	1	BLACK	深圳市金航标电子有限公司		www.kinghelm.com.cn	CHK'D	2019-8-21
1	FRAME	STEEL STRIP	1	Ni PLATED	KH-SK22F02-G6-9		0755-28190160	APPD.	
NO.	PARTS	MATERIALS	Q'TY	FINISH					