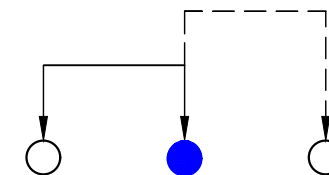
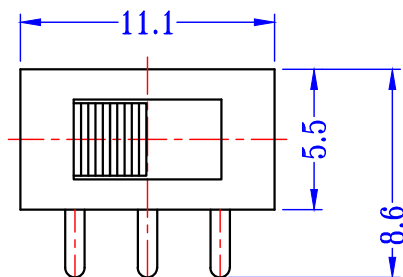


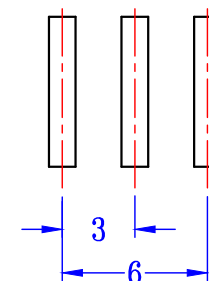
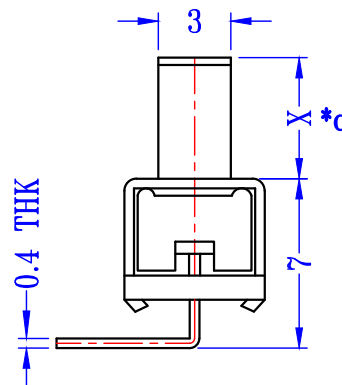
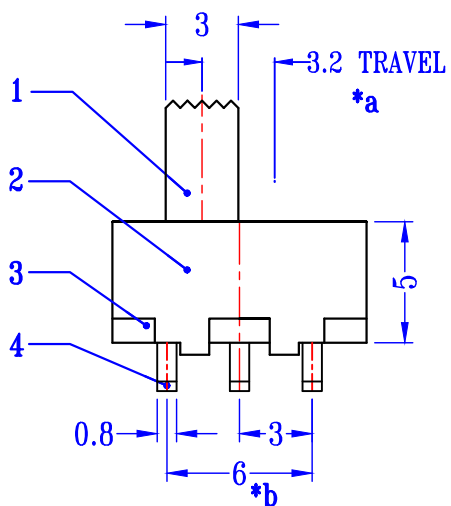


CAD FILE:

Kinghelm®



SCHEMATIC (NON-SHORTING)



P.C.B LAYOUT
TOP VIEW

注：“*”表示关键尺寸(3个)

| NO. | PARTS | MATERIALS | Q'TY | FINISH | TOLERANCE UNLESS SPECIFIED | | | | | |
|-----|----------|----------------|------|-----------|-------------------------------|--------|---------------------|------------|--------------------------|----------------|
| 8 | | | | | WITHIN 1.5mm | ±0.1mm | A | 2019-09-18 | 初版 | 李燕 |
| 7 | | | | | OVER 1.5mm | ±0.2mm | ISSUE | DATE | DESCRIPTIONS OF REVISION | APPD. |
| 6 | CONTACT | BRASS STRIP | 1 | Ag PLATED | TITLE : VERTICAL SLIDE SWITCH | | | UNIT : mm | DRWG NO.: SS12F21 | |
| 5 | SPRING | STEEL WIRE | 1 | NATURAL | MODEL: SS-12F21 | | | SCALE: 3:1 | DWN. | 余玉珍 2020-09-18 |
| 4 | TERMINAL | BRASS STRIP | 3 | Ag PLATED | 深圳市金航标电子有限公司 | | www.kinghelm.com.cn | | CHK'D | 张小明 2020-09-18 |
| 3 | BASE | PHENOLIC RESIN | 1 | NATURAL | KH-SS12F21-G3 | | 0755-28190160 | | APPD. | 李燕 2020-09-18 |
| 2 | FRAME | STEEL STRIP | 1 | BLACK | | | | | | |
| 1 | KNOB | POM | 1 | BLACK | | | | | | |