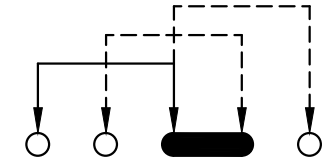
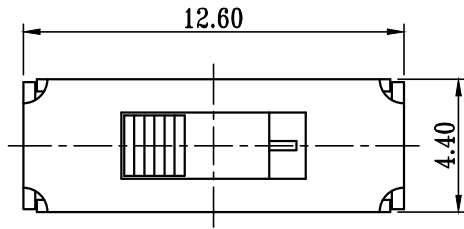
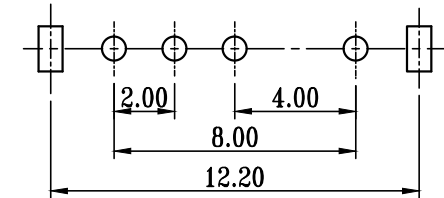
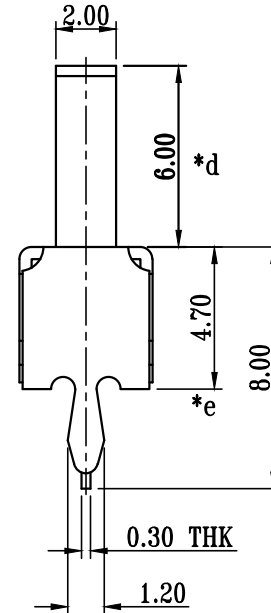
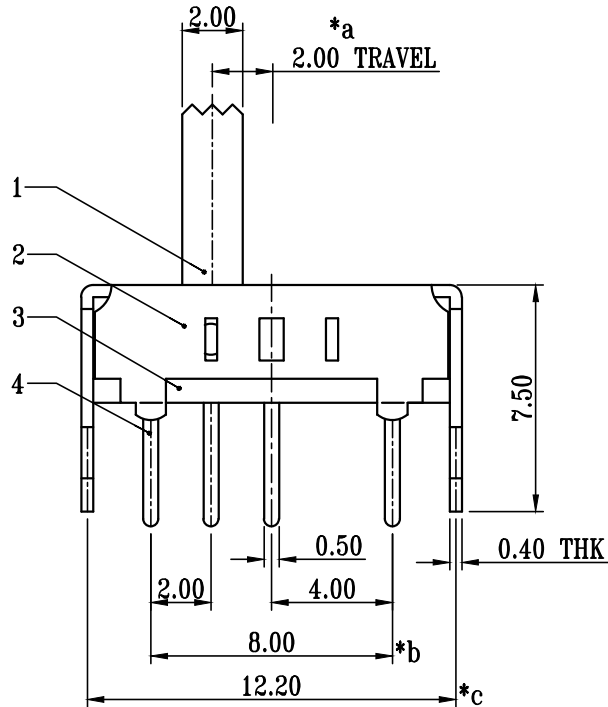


CAD FILE:

Kinghelm®



SCHEMATIC (SHORTING)



**P.C.B LAYOUT
BOTTOM VIEW**

注：“*”表示关键尺寸(5个).

NO.	PARTS	MATERIALS	Q'TY	FINISH	TOLERANCE UNLESS SPECIFIED				
8									
7									
6	SPRING PLATED	SUS	2	NATURAL	WITHIN 1.5mm : ±0.1mm	A	2019-11-21	初版	郑小波
5	CONTACT CLIP	PBS C5210R-EH	1	Ag CLAD	OVER 1.5mm : ±0.2mm	ISSUE	DATE	DESCRIPTIONS OF REVISION	APPD.
4	TERMINAL	BRASS STRIP	4	Ag PLATED OVER Ni PLATED	TITLE : VERTICAL SLIDE SWITCH		UNIT : mm	DRWG NO.: SS13D07	
3	BASE	PHENOLIC RESIN	1	NATURAL	MODEL: SS13D07		SCALE: 1:1	DWN.	曹明明 2019-11-21
2	FRAME	STEEL STRIP	1	Ni PLATED	深圳市金航标电子有限公司		www.kinghelm.com.cn	CHK'D	周万财 2019-11-21
1	KNOB	POM	1	BLACK	KH-SS13D07-VG4H		0755-28190160	APPD.	郑小波 2019-11-21