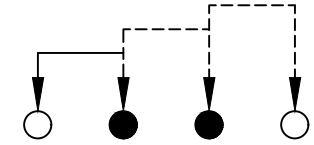
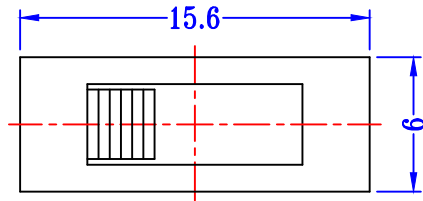
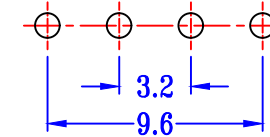
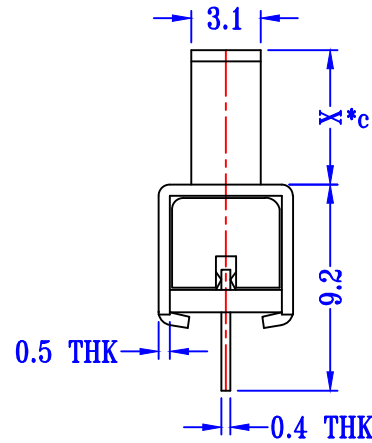
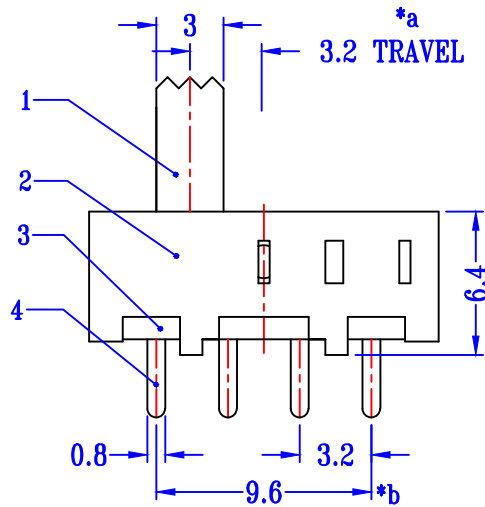


**Kinghelm®**



**SCHEMATIC (NON-SHORTING)**



**P.C.B LAYOUT  
BOTTOM VIEW**

注：“\*” 表示关键尺寸(3个).

NO.	PARTS	MATERIALS	Q'TY		TOLERANCE UNLESS SPECIFIED				
8									
7	STEEL BALL	STEEL	1	NATURAL					
6	SPRING	STEEL WIRE	1	NATURAL	WITHIN 1.5mm : ±0.1mm	A	2020-8-3	初版	李燕
5	CONTACT CLIP	PBS STRIP	1	Ag PLATED	OVER 1.5mm : ±0.2mm	ISSUE	DATE	DESCRIPTIONS OF REVISION	APPD.
4	TERMINAL	BRASS STRIP	4	Ag PLATED	TITLE : VERTICAL SLIDE SWITCH			UNIT : mm	DRWG NO.: SS13F06
3	BASE	PHENOLIC RESIN	1	NATURAL	MODEL: SS13F06			SCALE: 3 : 1	DWN. 余小珍 2020-8-3
2	FRAME	STEEL STRIP	1	Ni PLATED	深圳市金航标电子有限公司			www.kinghelm.com.cn	CHK'D 李明 2020-8-3
1	KNOB	POM	1	BLACK	KH-SS13F06-G6			0755-28190160	APPD. 李燕 2020-8-3