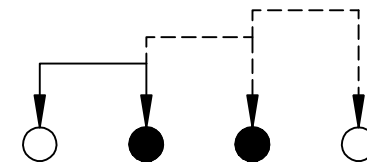
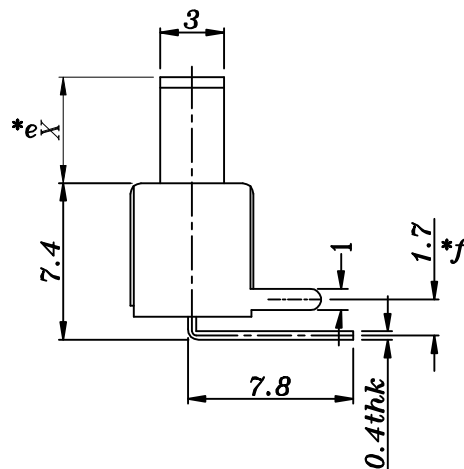
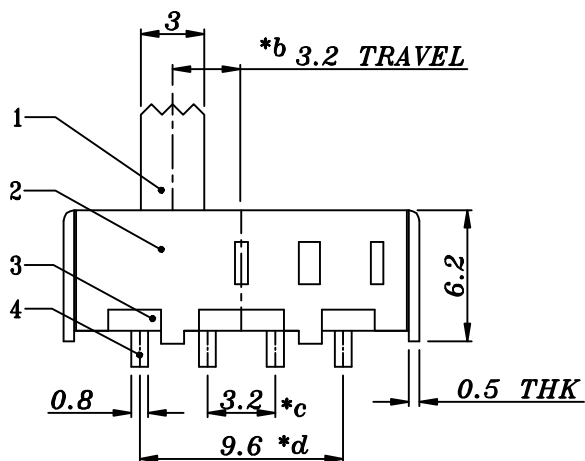
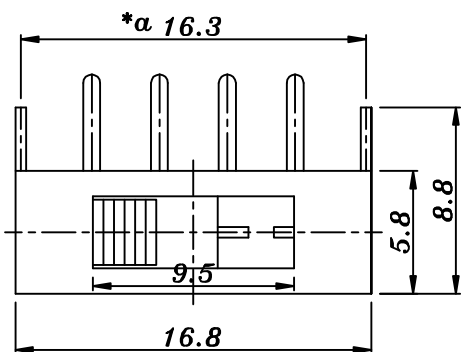
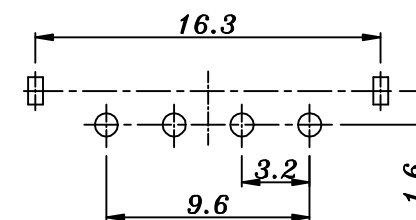


Kinghelm®



SCHEMATIC (NON-SHORTING)



**P.C.B LAYOUT
BOTTOM VIEW**

NO.	PART NAME	MATERIAL	QTY	FINISHING	TOLERANCE UNLESS SPECIFIED		DATE	REVISIONS		BY	APPD
7	STEEL BALL	SUS	1		UP TO 5mm:±0.1	ANGULAR	1				
6	SPRING	SUS	1		ABOVE 5mm:±0.2	±1°	NO				
5	CONTACT CLIP	PHOSPHOR BRONZE	1	Ag CLAD							
4	TERMINAL	BRASS	4	Ag-PLATED	TITLE: VERTICAL SLIDE SWITCH		UNIT : MM	ROHS	DWN		
3	BASE	PHENOLIC RESIN	1		MODEL: SS13F24GX		SCALE: 1:1	COMPLIANT	CHK'D		
2	FRAME	STEEL	1	Ni-PLATED	深圳市金航标电子有限公司		www.kinghelm.com.cn		APPD		
1	KNOB	POM	1	BLACK	KH-SS13F24-G5		0755-28190160		PRO.AGL:	⊲ ⊕	REV :A0