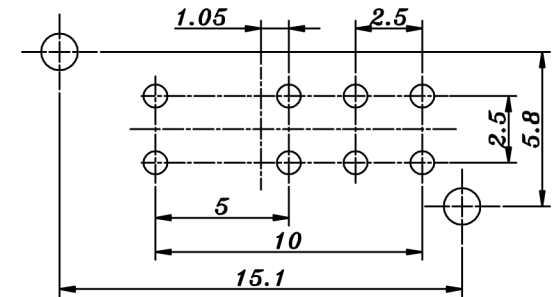
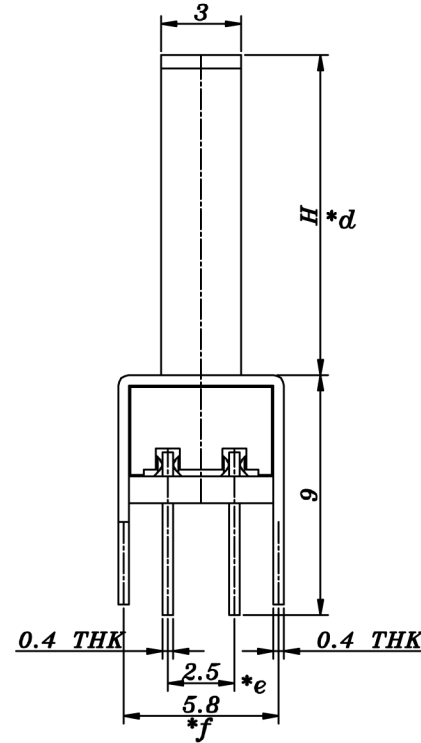
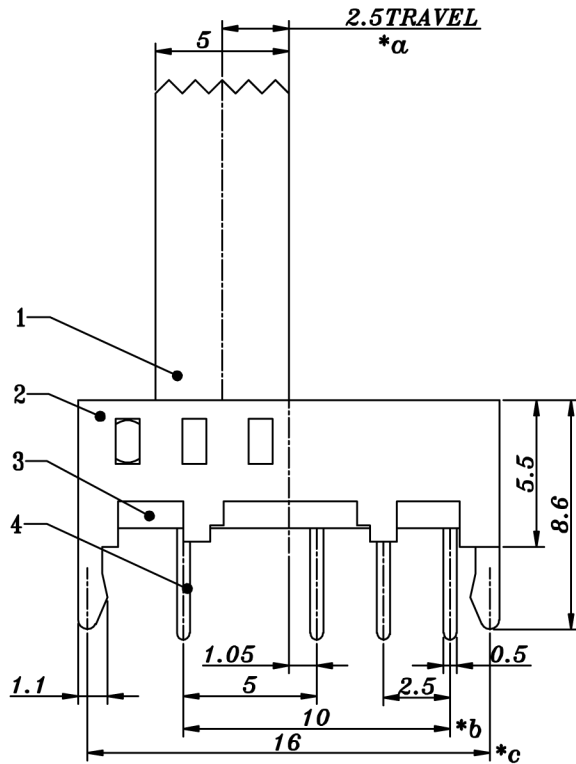


SCHMATIC (SHORTING)



**PCB LAYOUT
BOTTOM VIEW**

NO.	PART NAME	MATERIAL	QTY	FINISHING	TOLERANCE UNLESS SPECIFIED		UNIT : MM	ROHS COMPLIANT	DWN	CHK'D	APPD	REVISIONS	DATE	BY	APPD
7	STEEL BALL	STEEL	2		UP TO 5mm: ±0.1	ANGULAR	1								
6	SPRING	SUS	1		ABOVE 5mm: ±0.2	±1°	NO								
5	CONTACT CLIP	PHOSPHOR BRONZE	2	Ag-PLATED	TITLE: VERTICAL SLIDE SWITCH		SCALE: 1:1								
4	TERMINAL	BRASS	8	Ag-PLATED	深圳市金航标电子有限公司		www.kinghelm.com.cn								
3	BASE	PHENOLIC RESIN	1		KH-SS23E05-G5		0755-28190160								
2	FRAME	STEEL	1	Ni-PLATED											
1	KNOB	PA66	1	BLACK											