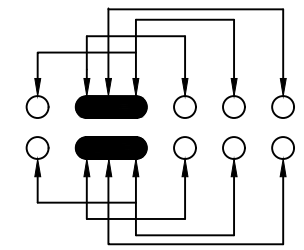
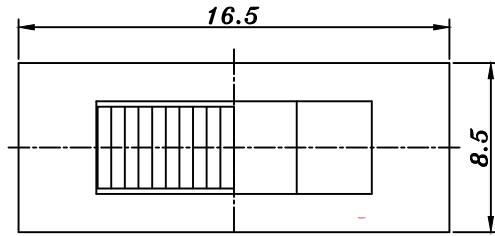
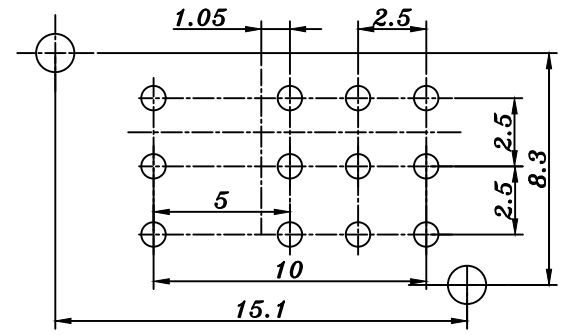
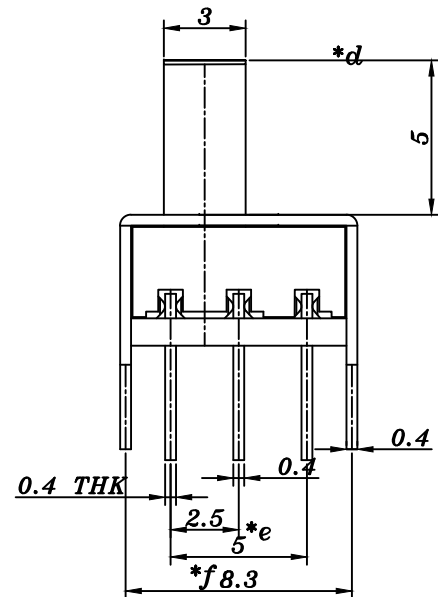
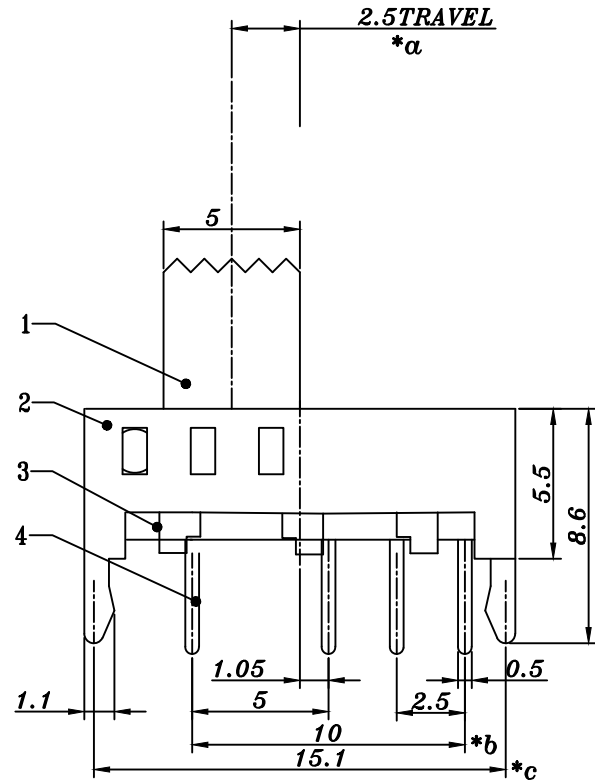


Kinghelm®



SCHEMATIC (SHORTING)



**PCB LAYOUT
BOTTOM VIEW**

NO.	PART	NAME	MATERIAL	QTY	FINISHING	TOLERANCE UNLESS SPECIFIED							
7	STEEL BALL		STEEL	2		UP TO 5mm: ±0.1	ANGULAR	1					
6	SPRING		SUS	1		ABOVE 5mm: ±0.2	±1°	NO	DATE	REVISIONS		BY	APPD
5	CONTACT CLIP		PHOSPHOR BRONZE	2	Ag-PLATED	TITLE: VERTICAL SLIDE SWITCH		UNIT : MM	ROHS	DWN			
4	TERMINAL		BRASS	8	Ag-PLATED	MODEL: SS33E05G5		SCALE: 1:1	COMPLIANT	CHK'D			
3	BASE		PHENOLIC RESIN	1		深圳市金航标电子有限公司		www.kinghelm.com.cn		APPD			
2	FRAME		STEEL	1	Ni-PLATED	KH-SS33E05-G5		0755-28190160		PRO.AGL:			REV : A
1	KNOB		POM	1	BLACK								