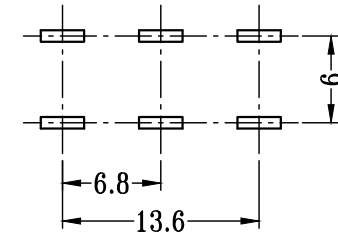
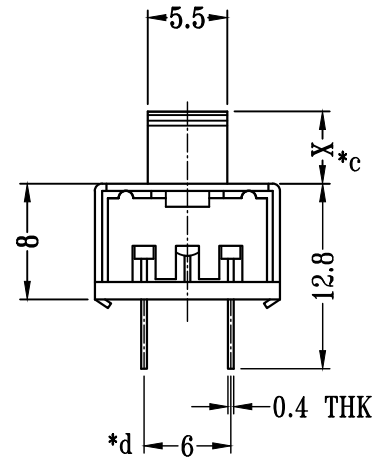
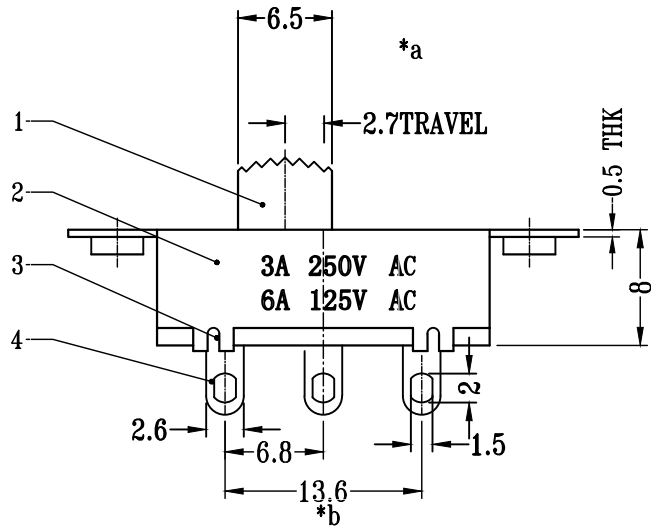


SCHEMATIC (NON-SHORTING)



P.C.B LAYOUT  
BOTTOM VIEW

注：“\*”表示关键尺寸(4个)。

				TOLERANCE UNLESS SPECIFIED							
				UP TO 5mm: ±0.1	ANGULAR	1					
				ABOVE 5mm: ±0.2	±1°	NO	DATE	REVISIONS		BY	APPD
6	CONTACT CLIP	PBS STRIP	2	Ag PLATED	TITLE: VERTICAL SLIDE SWITCH		UNIT : MM	ROHS	DWN		
5	SPRING	STEEL WIRE	2	NATURAL	MODEL: SS23F19GX PA66柄金码		SCALE: 1:1	COMPLIANT	CHK'D		
4	TERMINAL	BRASS STRIP	6	Ag PLATED	深圳市金航标电子有限公司		www.kinghelm.com.cn		APPD		
3	BASE	PHENOLIC RESIN	1	NATURAL	KH-SS23F19-G8		0755-28190160		PRO.AGL:		REV :A0
2	FRAME	STEEL STRIP	1	Ni PLATED							
1	KNOB	PA66	1	BLACK							
NO.	PART NAME	MATERIAL	QTY	FINISHING							