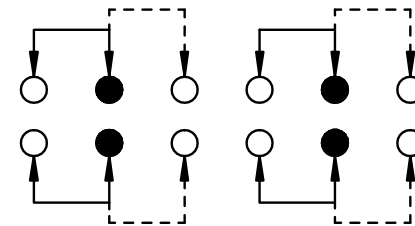
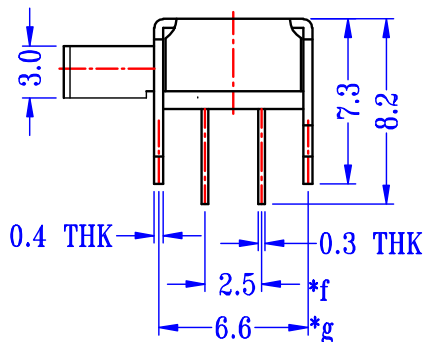
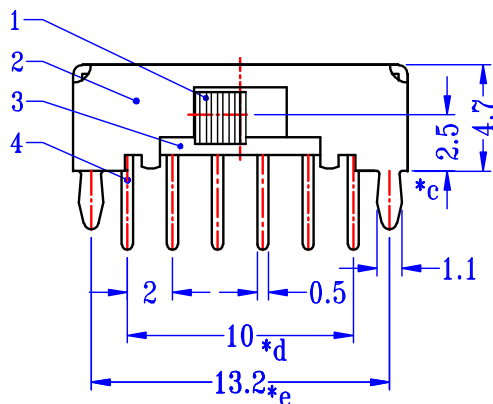
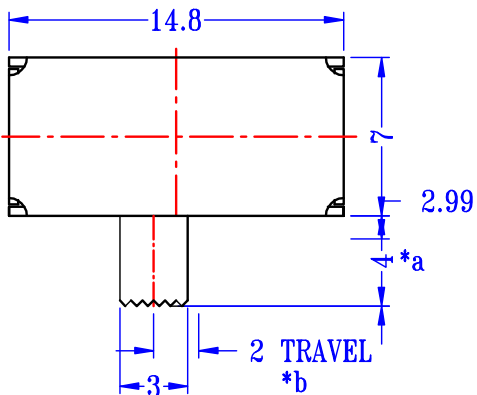
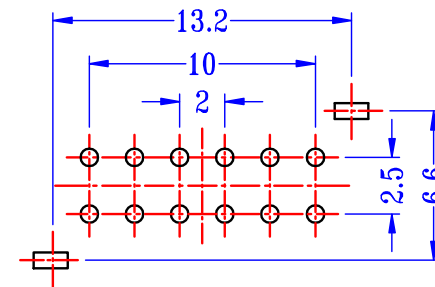


CAD FILE:

**Kinghelm®**



**SCHEMATIC (NON-SHORTING)**



**P.C.B LAYOUT  
BOTTOM VIEW**

注：“\*”号表示关键尺寸(7个).

NO.	PARTS	MATERIALS	Q'TY	FINISH	TOLERANCE UNLESS SPECIFIED	ISSUE	DATE	DESCRIPTIONS OF REVISION	APPD.
8									
7									
6	SPRING PLATE	PBS STRIP	1	NATURAL	WITHIN 1.5mm : ±0.1mm	A	2012-09-14	初版	李燕
5	CONTACT CLIP	PBS STRIP	4	Ag CLAD	OVER 1.5mm : ±0.2mm	ISSUE	DATE	DESCRIPTIONS OF REVISION	APPD.
4	TERMINAL	BRASS STRIP	12	Ag PLATED				TITLE : HORIZONTAL SLIDE SWITCH	UNIT : mm
3	BASE	PHENOLIC RESIN	1	NATURAL				MODEL: SK42D02	DRWG NO.: SK42D02
2	FRAME	STEEL STRIP	1	Ni PLATED				SCALE: 3:1	DWN. 吴小庆
1	KNOB	POM	1	BLACK				CHK'D 劳庆明	2012-09-14
								深圳市金航标电子有限公司	www.kinghelm.com.cn
								APPD. 李燕	2012-09-14
								KH-SK42D02-G6	0755-28190160