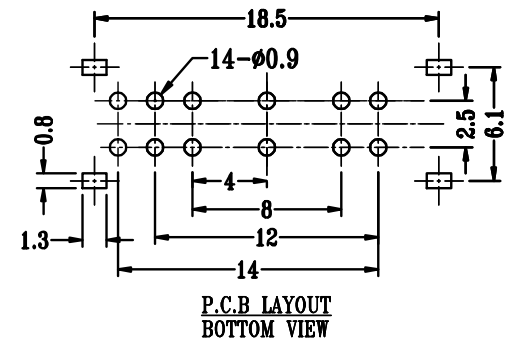
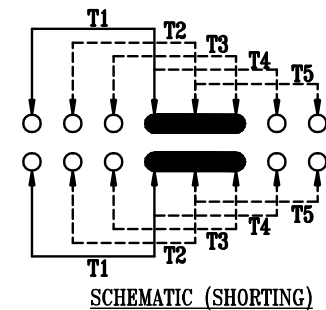
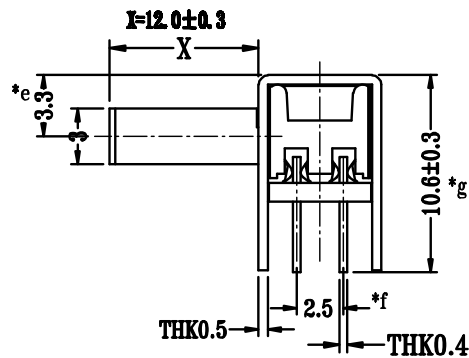
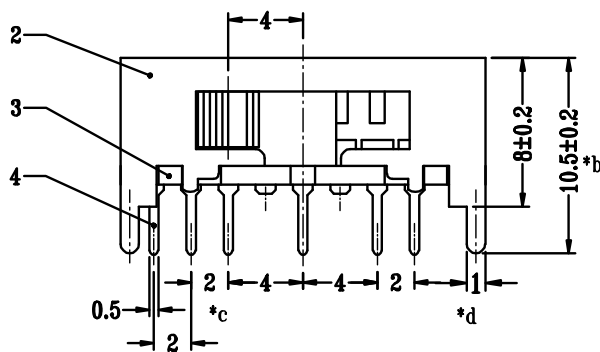
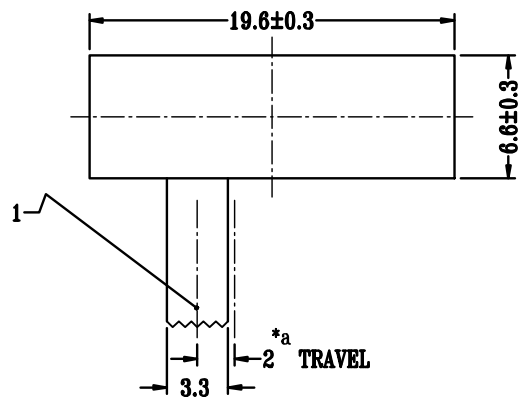


CAD FILE:

**Kinghelm®**



注"\*"表示关键尺寸(7个)

NO.	PARTS	MATERIALS	Q'TY	FINISH	TOLERANCE					
8					UNLESS SPECIFIED					
7	STEEL BALL	STEEL	2	NATURAL	WITHIN 1.5mm : ±0.1mm	A	2020-12-29	初版		
6	SPRING	STEEL WIRE	1	NATURAL	OVER 1.5mm : ±0.2mm	ISSUE	DATE	DESCRIPTIONS OF REVISION		
5	CONTACT CLIP	PBS STRIP	2	Ag CLAD	TITLE : VERTICAL SLIDE SWITCH			UNIT : mm	DRWG NO.:	
4	TERMINAL	BRASS STRIP	12	Ag PLATED	MODEL: SK25D01			SCALE: 2:1	DWN.	2020-12-29
3	BASE	PHENOLIC RESIN	1	NATURAL	深圳市金航标电子有限公司		www.kinghelm.com.cn	CHK'D	2020-12-29	
2	FRAME	STEEL STRIP	1	Ni PLATED	KH-SK25D01-G6		0755-28190160	APPD.	2020-12-29	
1	KNOB	PA66	1	BLACK						