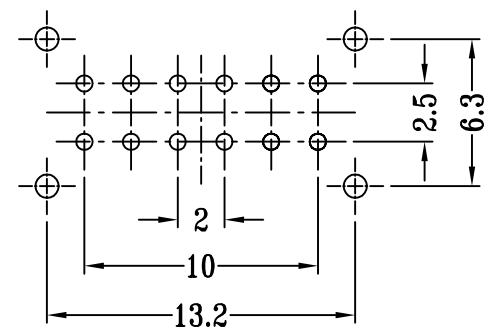


SCHEMATIC (NON-SHORTING)



P.C.B LAYOUT
BOTTOM VIEW

注：“*”表示关键尺寸(6)个

8					TOLERANCE				
7					UNLESS SPECIFIED				
6	CONTACT CLIP	PBS STRIP	4	Ag PLATED	WITHIN: 1.5±0.1mm	A		初版	
5	TERMINAL	BRASS STRIP	12	Ag PLATED	OVER : 1.5±0.2mm	ISSUE	DATE	DESCRIPTIONS OF REVISION	
4	BASE	PHENOLIC RESIN	1	NATURAL	TITLE : PUSH SWITCH		UNIT : mm	DRWG NO.:	
3	SPRING	STEEL WIRE	1	NATURAL	MODEL: PS42D02		SCALE: 3:1	DWN.	
2	FRAME	STEEL STRIP	1	Ni PLATED	深圳市金航标电子有限公司		www.kinghelm.com.cn	CHK'D	
1	KNOB	POM	1	BLACK				APPD.	
NO.	PARTS	MATERIALS	Q'TY	FINISH	KH-PS42D02		0755-28190160	APPD.	