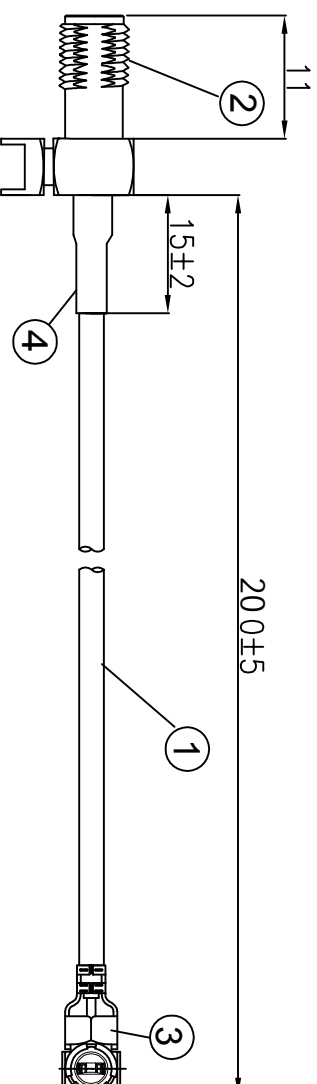


Kinghelm®

REVISIONS				
REV NUMBER	DESCRIPTION	DWN	CHK	DATE
A	DESIGN			



NOTES:

- 1. ELECTRICAL:**
- 1.1. VOLTAGE RATING:DCV 300V 10MS
 - 1.2. CONDUCTANCE RESISTANCE: 3.0 OHM/MAX.
 - 1.3. INSULATION RESISTANCE: 5.0M OHM/MIN.
 - 1.4. THE CABLE SHOULD BE 100% ELECTRICAL TEST
 - 1.5. IT SHOULD BE NO ANY OPENS/SHORT, MISWIRING AND INTERMITTENT FAILURES.
- 2. MATERIAL:**
- 2.1. SEE TABLE
- 3. ALL COMPONENTS ARE ROHS COMPLIANT.**

ITEM NO.	PART NUMBER	DESCRIPTION	QTY.
④	套管	黑色热缩套管, OD:2.0MM	AS
③	端子	高仿I-PEX, 1.37端子, 镀金	1
②	接头	SMA母头母针, 带4个脚, 半牙, 镀金	1
①	同轴线	RF1.37黑线, OD:1.37mm	AS

深圳市金航标电子有限公司 WWW.BDS666.COM

KH-1PEX-SMAKWE-RG137-B200MM 0755-83044319

ALL DIMENSION ARE IN MM	DRAWN	James	DATE	2021-10-30
	CHKD.	Frank		2021-10-30
COMPUTER GENERATED IN SOLIDWORKS	APPD.	Scott		2021-10-30
DO NOT SCALE THIS DRAWING	GENERAL TOLERANCE FOR ANGLES ± 1° ± 0.5 0.25 0.150			
PROJECTION	I-PEX 1.37 TO SMA /F L=200mm			
SCALE: Free	TYPE	SHEET	1	OF

CUSTOMER P/N:

4

3

2

1

A

B

C

D

A

B

C

D