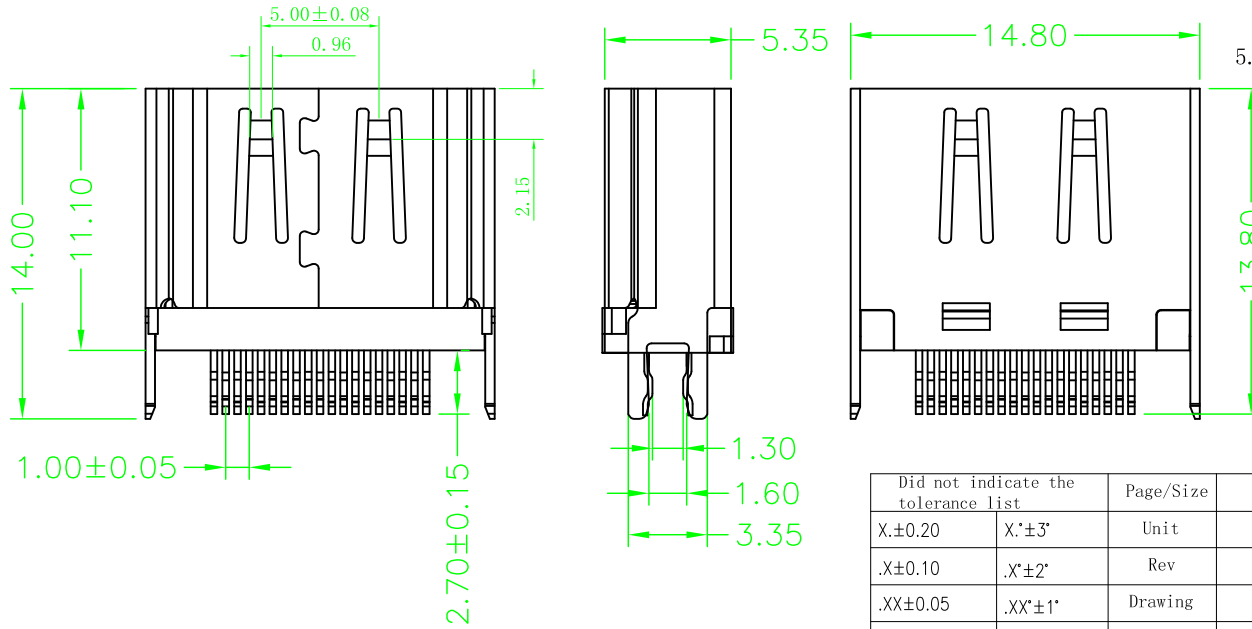
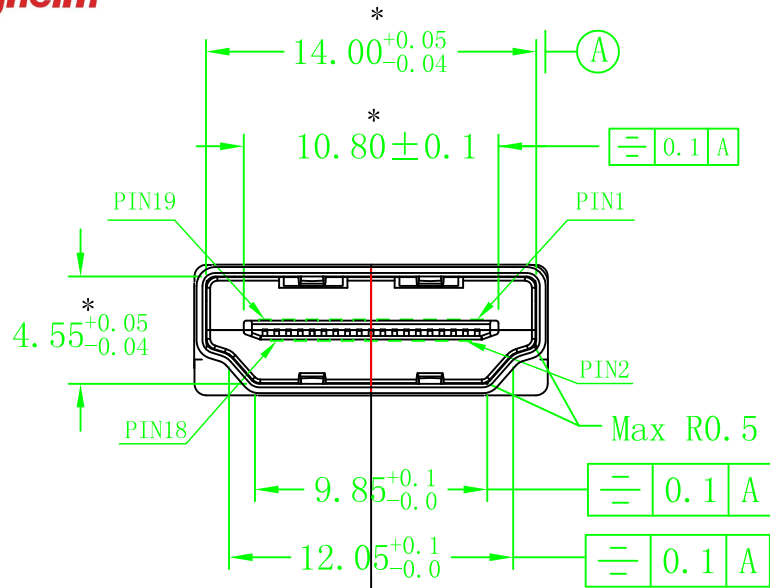


Kinghelm®

Rev	ECN NO	Content of the changes	Principal	Date
Rev				

SPECIFICATION

- Electrical characteristics
 - Contact Current Rating: 0.5 A
 - Dielectric Withstanding Voltage: 300V AC
 - Insulation Resistance:
 - a. Mate 100MΩ MIN at 500V/DC
 - b. Unmate 10MΩ MIN at 150V/DC
 - Contact Resistance: 30mΩ MAX
 - Temperature Range: -20° C to +85° C
- Mechanical
 - Mating Face: 44.1N MAX
 - Unmating Face: 9.8N MIN; 39.2N MAX
 - Durability: 10000 Cycles
- Material:
 - HOUSING: THERMOPLASTICS HIGH TEMP LCP+GLASS
FIBER BLACK COLOR, UL94V-0
 - CONTACT: Copper Alloy, T=0.20MM
 - SHELL: Copper Alloy (SPCC), T=0.50MM
- Plating:
 - CONTACT: 1~30u" GOLD/TIN PLATING ON CONTACT AREA
100u" MIN, TIN PLATING ON SOLDER TAILS
 - SHELL: 80u", NICKEL UNDERPLATING OVER ALL
- *Key control size



Did not indicate the tolerance list		Page/Size	1/1 A4	深圳市金航标电子有限公司		www.kinghelm.com.cn	
X.±0.20	X'±3'	Unit	MM	KH-HDMI-0024-JBS		0755-28190160	
.X±0.10	.X'±2'	Rev	A1	Item NO	HDMI AF夹板式1.6mm 弯针L=2.7mm T=0.4mm		
.XX±0.05	.XX'±1'	Drawing		Part NO			
.XXX±0.02	.XXX'±0.5'	Checked		DWG NO			
Scale: 1:1		Approved					