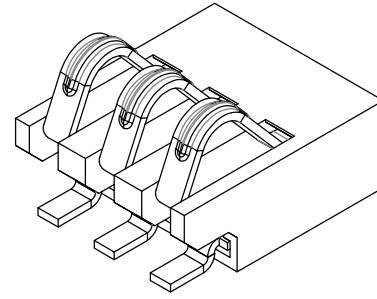


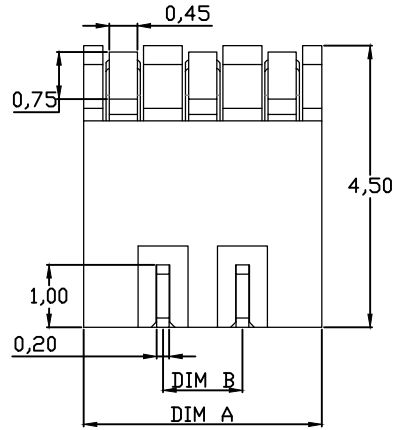
RoHS
Compliant

3				
2				
1				
ZONE	REV.	DESCRIPTION	APPROVAL	DATE

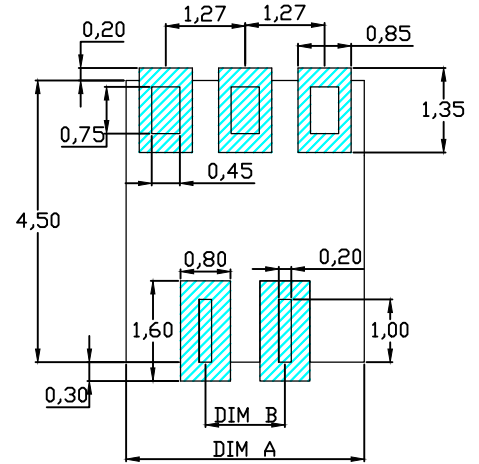
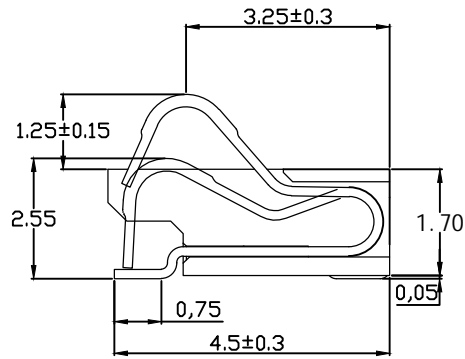
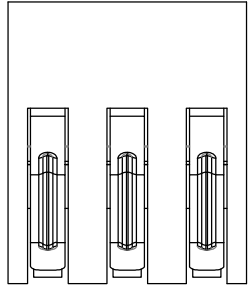


性能:

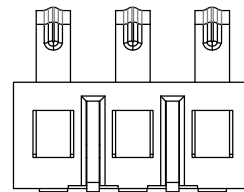
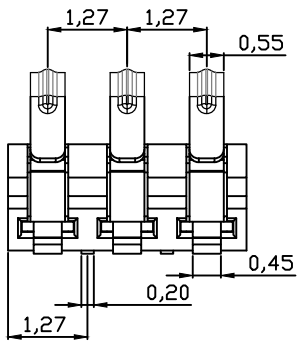
额定电流: 1.0A
 额定电压: 12V
 耐电压: 500V
 接触电阻: 30mΩ MAX
 绝缘电阻: 500MΩ
 工作温度: -40°C ~ +85°C
 塑件(材质): LCP E130I
 接触点(材质): 铜合金, 触点镀金3u"



PART NO.	DIM A	DIM B
KH-12701-2P225		2.54
KH-12701-3P225		3.81
KH-12701-4P225	5.08	2.54
KH-12701-5P225	6.35	3.81
KH-12701-6P225	7.62	5.08



RECOMMENDED PCB LAYOUT
TOP VIEW (. XX ± 0.05)



深圳市金航标电子有限公司 www.kinghelm.com.cn		KH-12701-2P170 0755-28190160		DESIGN	X. Z. Huang	SCALE		TOLERANCE		PART NAME	电池座
				DRAWING	X. Z. Huang	UNIT	mm			X. X	±0.35
				CHECK	X. X. Zheng	SIZE	A4:210:297	X. XX	±0.25	DWG. NO.	RBD-SP-0019
				APPROVAL	M. Y. Li	VER.	01	ANGLE	±3°	DATE	2019-11-04