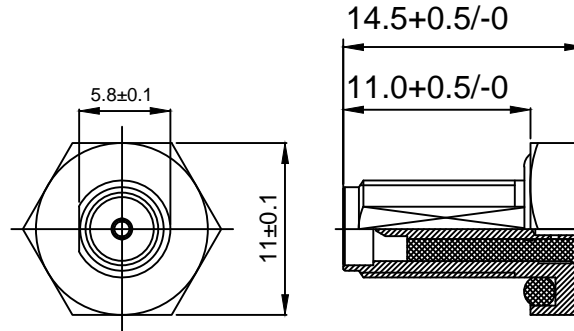


Kinghelm®

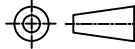
REVISIONS					
REV	NUMBER	DESCRIPTION	DWN	CHK	DATE
A		DESIGN	James		9/26



Note:

1. Remove All Burrs.
2. Break All Corners And Edges C0.15 MAX.
3. Diameter On Common Center And To Be Concentric Within 0.1 mm.
4. Impedance : 50 Ω ; Frequency Range : 0-6 GHz ; VSWR : 1.5 Max.
5. Metal Parts Must Be Supplied With Bright Lustrous Finish.
Clean & Free From Oil , Grease And Dirt.
6. Temperature range : -40°C - +80°C.
7. Durability : ≥ 500 Cycles.

CUSTOMER P/N:

金航标电子有限公司					
ALL DIMENSION ARE IN MM	DRAWN	James	DATE	2023-02-10	
	CHKD.	Frank		2023-02-10	
COMPUTER GENERATED IN SOLIDWORKS DO NOT SCALE THIS DRAWING	APPD.	Scott		2023-02-10	
				TITLE	
			KH-FSSMAK-L-RG113		
PROJECTION 	SIZE	DWG Number.		REV	
	B			A	
SCALE:Free		TYPE	SHEET 1 OF 1		