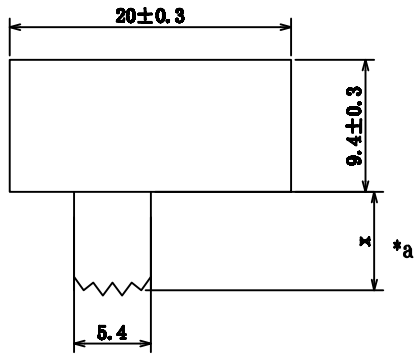
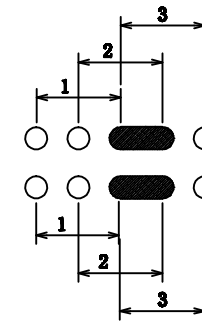
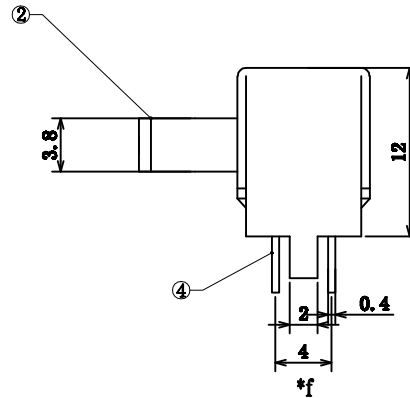
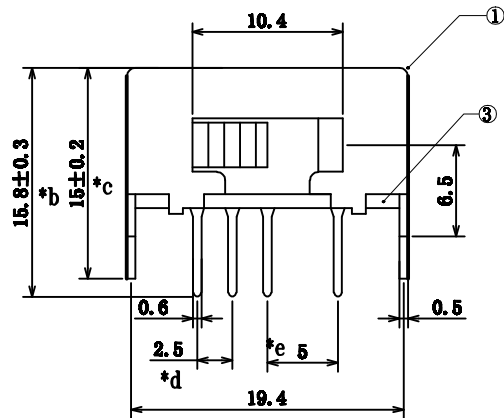
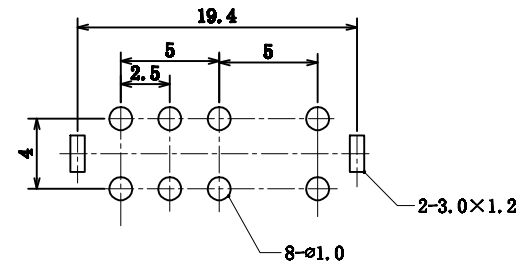


**Kinghelm®**



**P.C.B LAYOUT  
TOP VIEW**



8					TOLERANCE UNLESS SPECIFIED							
7					UP TO 5mm:±0.1	ANGULAR						
6					ABOVE 5mm:±0.2	±1°						
5							NO	DATE	REVISIONS		BY	APPD
4	CONTACT FOOT	BRASS	8	Ag-PLATED	TITLE: SLIDE SWITCH			UNIT : MM	ROHS	DWN		
3	BOTTOM	PCB	1		MODEL: SK-23E01			SCALE: 1:1	COMPLIANT	CHK'D		
2	BUTTON	POM	1	Ni-PLATED	深圳市金航标电子有限公司			www.kinghelm.com.cn		APPD		
1	COAT	IRON	1									
NO.	PART	NAME	MATERIAL	QTY	FINISHING	KH-SK23E01-G6		0755-28190160		PRO.AGL:		REV :A0