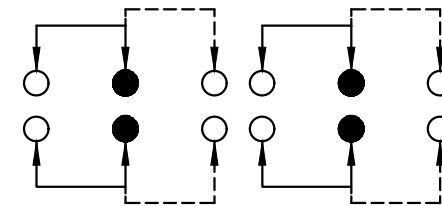
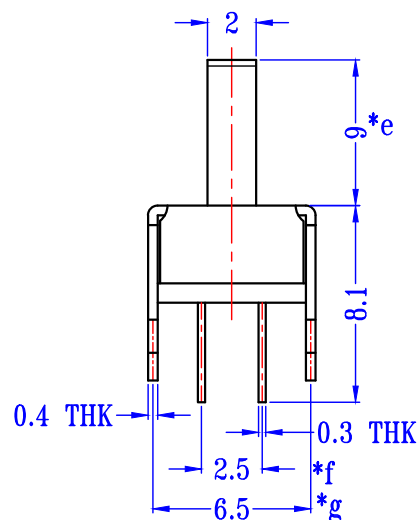
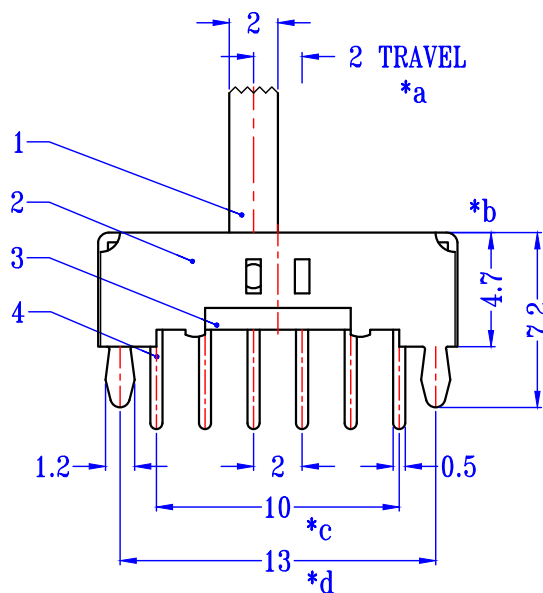
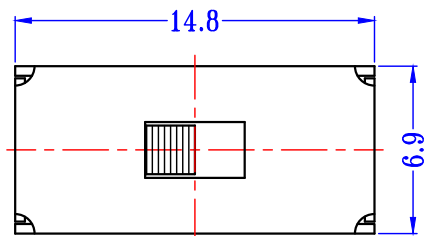


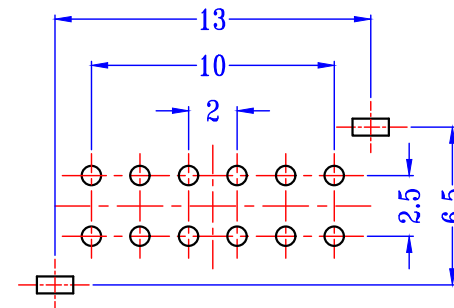


CAD FILE:

Kinghelm®



SCHEMATIC (NON-SHORTING)



P.C.B LAYOUT
BOTTOM VIEW

注：“*”表示关键尺寸(7个)

NO.	PARTS	MATERIALS	Q'TY	FINISH	TOLERANCE UNLESS SPECIFIED	ISSUE	DATE	DESCRIPTIONS OF REVISION	APPD.
8									
7									
6	SPRING PLATE	SUS	1	NATURAL	WITHIN 1.5mm : ±0.1mm	A	2019-07-21	初板	李燕
5	CONTACT CLIP	PBS STRIP	4	Ag PLATED	OVER 1.5mm : ±0.2mm	ISSUE	DATE	DESCRIPTIONS OF REVISION	APPD.
4	TERMINAL	BRASS STRIP	12	Ag PLATED	TITLE : VERTICAL SLIDE SWITCH		UNIT : mm	DRWG NO.: SS42D02	
3	BASE	PHENOLIC RESIN	1	NATURAL	MODEL: SS42D02		SCALE: 3:1	DWN.	刘小珍 2019-07-21
2	FRAME	STEEL STRIP	1	Ni PLATED	深圳市金航标电子有限公司		www.kinghelm.com.cn	CHK'D	李刚 2019-07-21
1	KNOB	POM	1	BLACK	KH-SS42D02-G3		0755-28190160	APPD.	李燕 2019-07-21