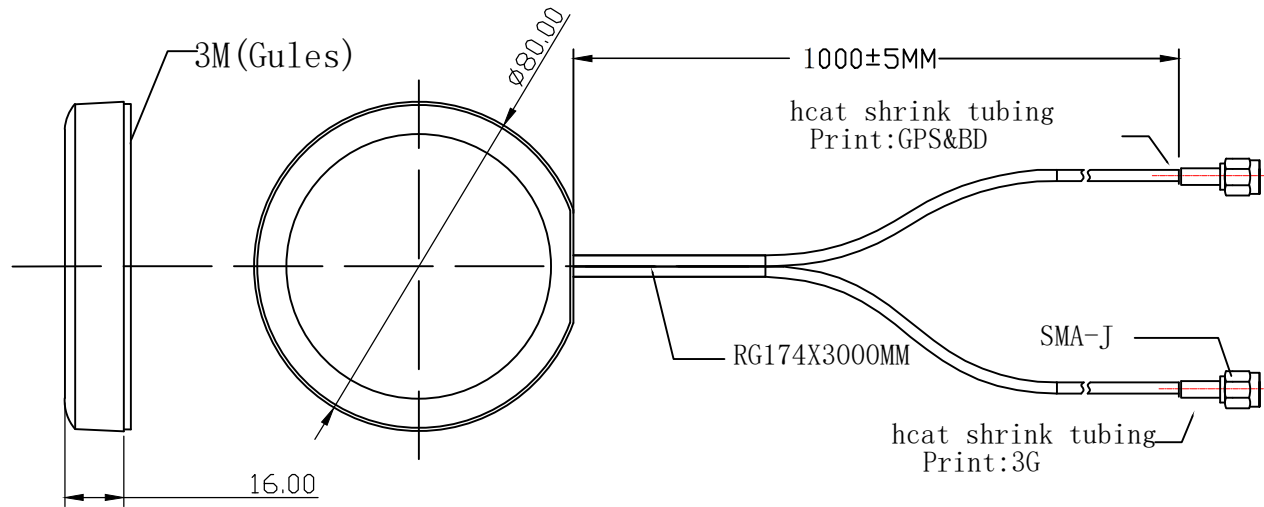
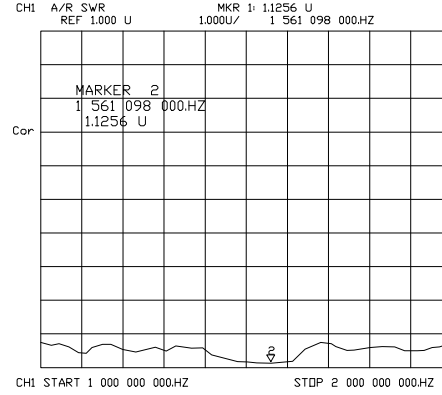
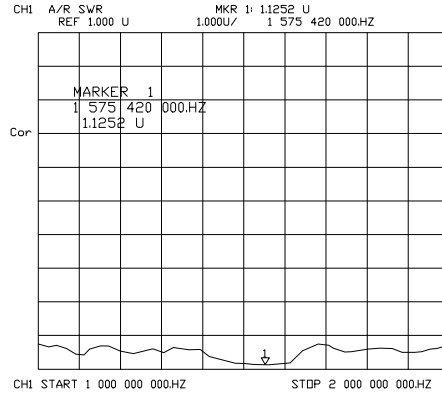
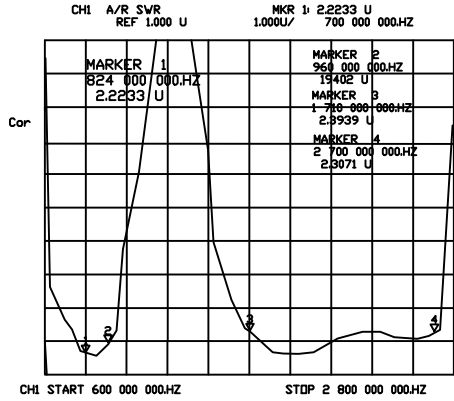


标注前有"*"重点检验尺寸

图面产品均符合ROHS标准



Item		Specifications	
GPS /BD/ GLONASS Antenna	Dielectric Antenna	Frequency Range	GPS1575.42mhz BD1227.6±10.23MHz
		Polarization	RHCP
		Gain	2dBi
		V.S.W.R	<1.5
		Impedance	50Ω
	LNA	Gain	28±2dB
		Noise Figure	<2dB
		V.S.W.R	<2.0
		Supply Voltage	3-5V DC
		Current Consumption	<20mA
4G Antenna MAIN	FrequencyRange	824-960MHz /1710-2690MHz	
	V.S.W.R	<2.0	
	Polarization	Linear	
	Gain	2.0dBi (Zenith)	
	Impedance	50Ω	
Mechanical	Cable	RG174	
	Connector	SMA-J	
	Material	ABS	
	Mounting Method	Screw	
Environmental	Operating Temperature	-40 ~+85	
	Relative Humidity	Up to 95%	
	Ingress Protection	IP67 (exclude cable outlet)	
	Vibration	10 to 55Hz with 1.5mm amplitude 2hours	
	Environmentally Friendly	ROHS Compliant	

金航标电子

公差	.x	±0.30	变更记录	日期	变更者	代码	料号	
	x.x	±0.20				品名	4G-GPS/BD螺钉天线	
	x.xx	±0.10				型号	YG-4G-GPS-BD-RG174-SMA-J-3M	
图法	ANGULAR	@5~	比例	纸张	A4	绘图	日期	2019.03.06
			单位	版本	A	审核	页码	1/1