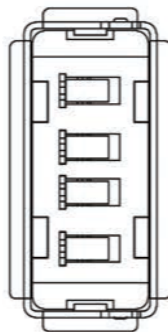
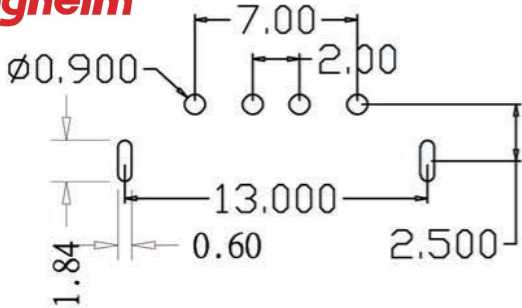


Kinghelm®

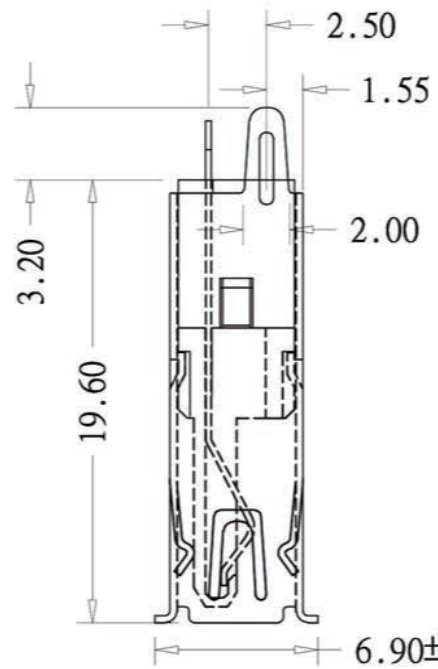
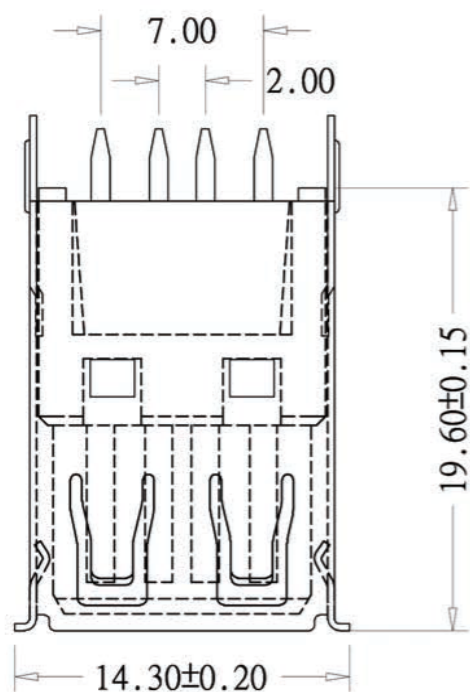
?	?	?	?	?	?
Mapx	Modification	Date	Draw	Approve	

A



B

C



D

E

F

Specifications:

- 1.Current Rating:
1.5A/contact terminal
- 2.Voltage Rating:
30V DC
- 3.Contact Resistance:
30 milliohms MAX
- 4.Dielectnic withstanding Voltage:
500 V AC AT Sea Level
- 5.Insulation Resistance:
1000MEGA ohms MIN

Mechanical:

- 1.Cnnector Mate and Unmated Force
Mate force:3.57kgf(MAX)
Unmated force:1.02kgf(MIN)
- 2.Terminal Retention
1.0kgf(MIN)

1.Housing:

- Hing Temperature Thermoplastics,
- 2.Contact:Copper Alloy C2680
- 3.Shell: Copper Alloy C2680/SPCC

- 1.Contact: Plated Gold in Mating Area
Tin On Solder Tolls

50U "MIN" Tin is plated around the terminal, Gold-plated area 100-200U",
80U "(MIN) Tin is plated around the copper casing

Nickel Plating

MANUFACTURE DWG	SHENZHEN KINGHELM ELECTRONIC CO., LTD.				WWW.BDS666.COM			
TOLERANCE TABLE	KH-AF180ZJ-19.6-JB				0755-83044319			
.X±0.15	X±5°	DATE	UNIT	MM	CHARTING	DWG NO.		
.XX±0.05	.X±2°	CHECKED	SCALE	1:1	DESIGN	Product Name	Short Receptacle	
.XXX±0.02	.XX±1°	APPROVAL	VIEW			VER	SHEET	