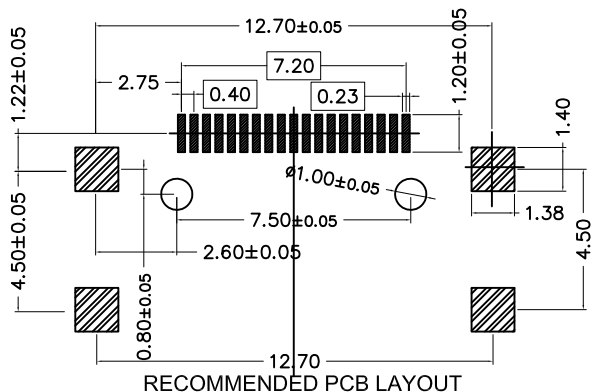
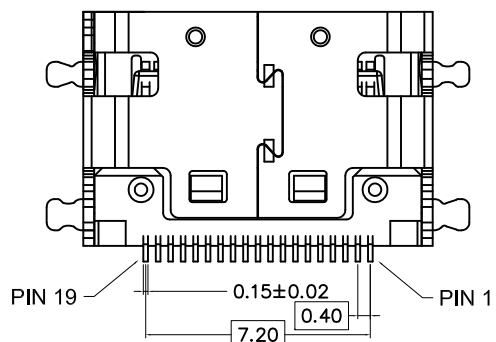
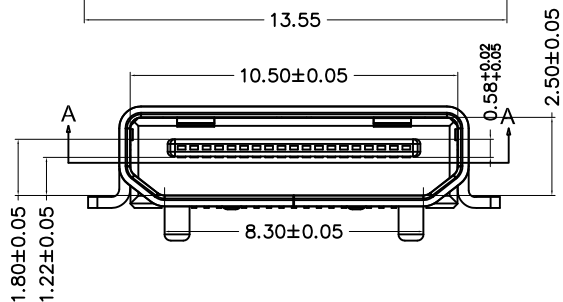
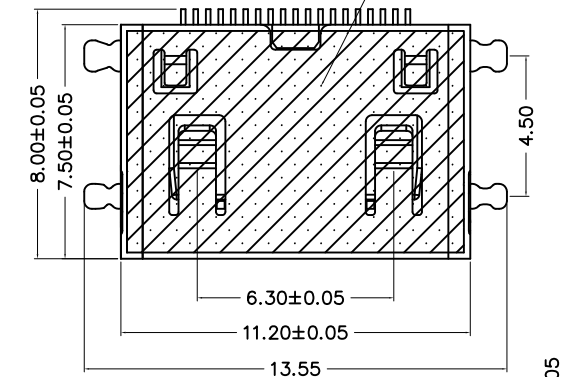


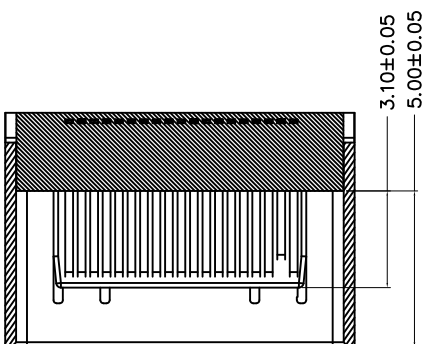
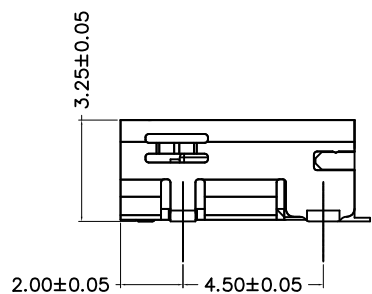
* 所有原料材质, 生产制程, 电镀必须符合ROHS要求

Kinghelm®

Mylar可选的



RECOMMENDED PCB LAYOUT



SEC A-A
SCALE 1:1

Type C pin	Signal Name
1	TMDS Data2 Shield
2	TMDS Data2+
3	TMDS Data2-
4	TMDS Data1 Shield
5	TMDS Data1+
6	TMDS Data1-
7	TMDS Data0 Shield
8	TMDS Data0+
9	TMDS Data0-
10	TMDS Clock Shield
11	TMDS Clock+
12	TMDS Clock-
13	DDC/CEC Ground
14	CEC
15	SCL
16	SDA
17	Utility
18	+5V Power
19	Hot Plug Detect

- SPECIFICATION:
- 1.MATING FORCE:44.1N MAX
 - 2.UNMATING FORCE:7-25N
 - 3.DURABILITY: 5000 CYCLES MIN
 - 4.CURRENT:0.5A
 - 5.VOLTAGE:40V MAX
 - 6.WITHSTANDING VOLTAGE:500V AC MIN.(UNMATED)
 - 7.CONTACT RESISTANCE:30MN MAX.
 - 8.INSULATION RESISTANCE:100MN MIN.(UNMATED)
 - 9.OPERATING TEMPERATURE RANGE:-20.C TO +85.C
 - 10.ALL THE MATERIAL SHOULD COMPLY WITH THE ROHS REQUIREMENT.

REVISION NO.	ECR NO.	DESCRIPTION	MARK	DATE
1				
2				
3				

深圳市金航标电子有限公司		www.kinghelm.com.cn	
KH-HDMI -0002		0755-28190160	
PRODUCT NAME : MINI-HDMI 19Pin SMT C TYPE		DRAWING:	DATE: 2008/12/10
UNLESS OTHERWISE SPECIFIABLE		CHECK:	DATE: 2008/12/10
DIMENSION TOLERANCE		APPROVED:	DATE: 2008/12/10
X.X: ± 0.25	X.XX: ± 0.10		
X.XXX: ± 0.05	ANGULAR: ± 1°		
SCALE: 1:1		DWG ID: P D	REV.: A
		PAGE: 1 OF 2	