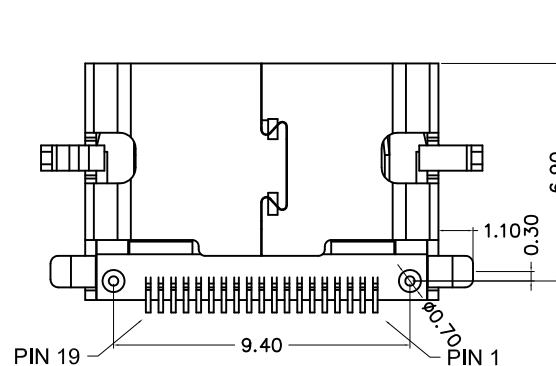
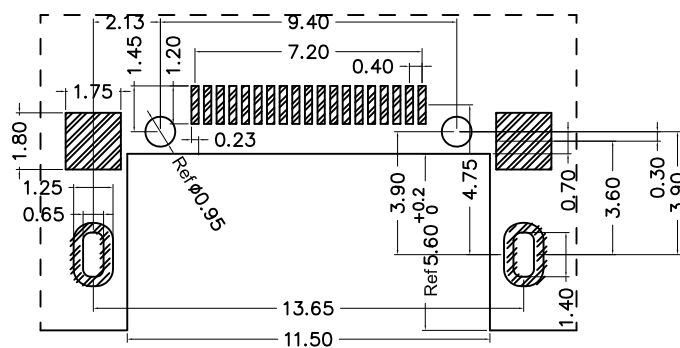
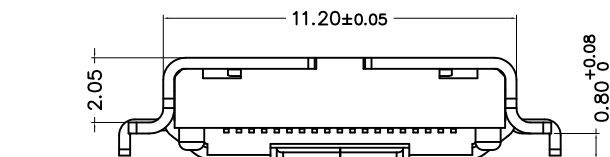
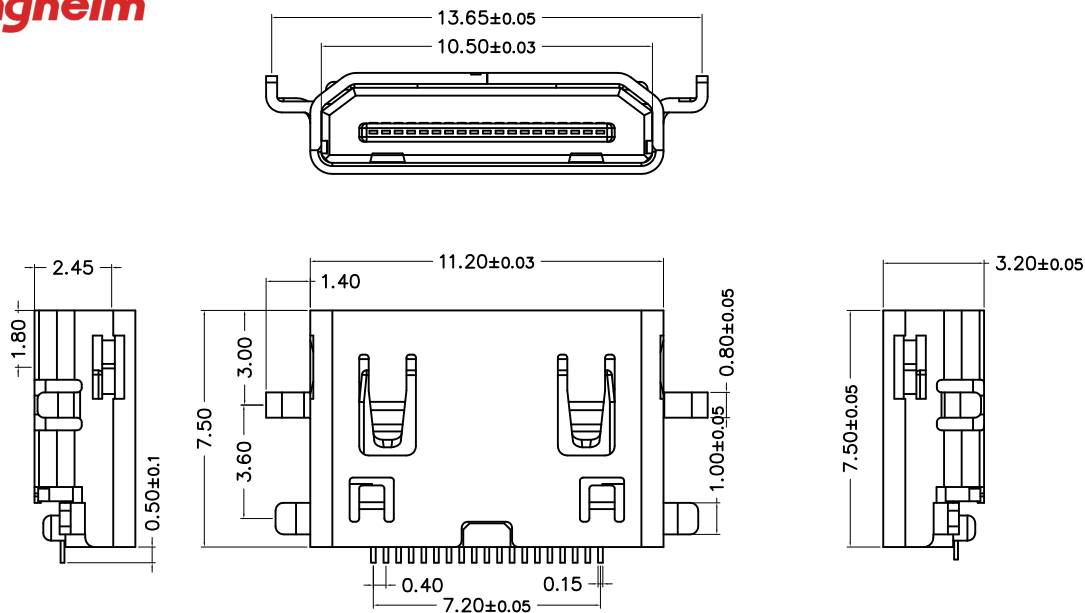


* 所有原料材质, 生产制程, 电镀必须符合ROHS要求

Kinghelm®



SPECIFICATION:

- 1.MATING FORCE:44.1N MAX
- 2.UNMATING FORCE:7-25N
- 3.DURABILITY: 5000 CYCLES MIN
- 4.CURRENT:0.5A
- 5.VOLTAGE:40V MAX
- 6.WITHSTANDING VOLTAGE:500V AC MIN.(UNMATED)
- 7.CONTACT RESISTANCE:30MΩ MAX.
- 8.INSULATION RESISTANCE:100MΩ MIN.(UNMATED)
- 9.OPERATING TEMPERATURE RANGE:-20.C TO +85.C
- 10.ALL THE MATERIAL SHOULD COMPLY WITH THE ROHS REQUIREMENT.

Type C pin	Signal Name
1	TMDS Data2 Shield
2	TMDS Data2+
3	TMDS Data2-
4	TMDS Data1 Shield
5	TMDS Data1+
6	TMDS Data1-
7	TMDS Data0 Shield
8	TMDS Data0+
9	TMDS Data0-
10	TMDS Clock Shield
11	TMDS Clock+
12	TMDS Clock-
13	DDC/CEC Ground
14	CEC
15	SDA
16	SDA
17	Utility
18	+5V Power
19	Hot Plug Detect

深圳市金航标电子有限公司		www.kinghelm.com.cn		
KH-HDMI-0035-PK		0755-28190160		
DIMENSIONS INIT: mm UNLESS OTHERWISE SPECIFIABLE	PRODUCT NAME : MINI-HDMI 19Pin C TYPE沉板0.80	DRAWING:	DATE:	
	PRODUCT NO. :	CHECK:	DATE:	
DIMENSION TOLERANCE X.X: ± 0.25 X.XX: ± 0.10 X.XXX: ± 0.05 ANGULAR: ± 1°	DRAWING NO. : HD-0035 平口	APPROVED:	DATE:	
			SCALE: 1:1	
REVISION NO.	ECR NO.	DESCRIPTION	MARK	DATE
1				
2				
3				
4				
5				
6				